



SPARE PART LIST

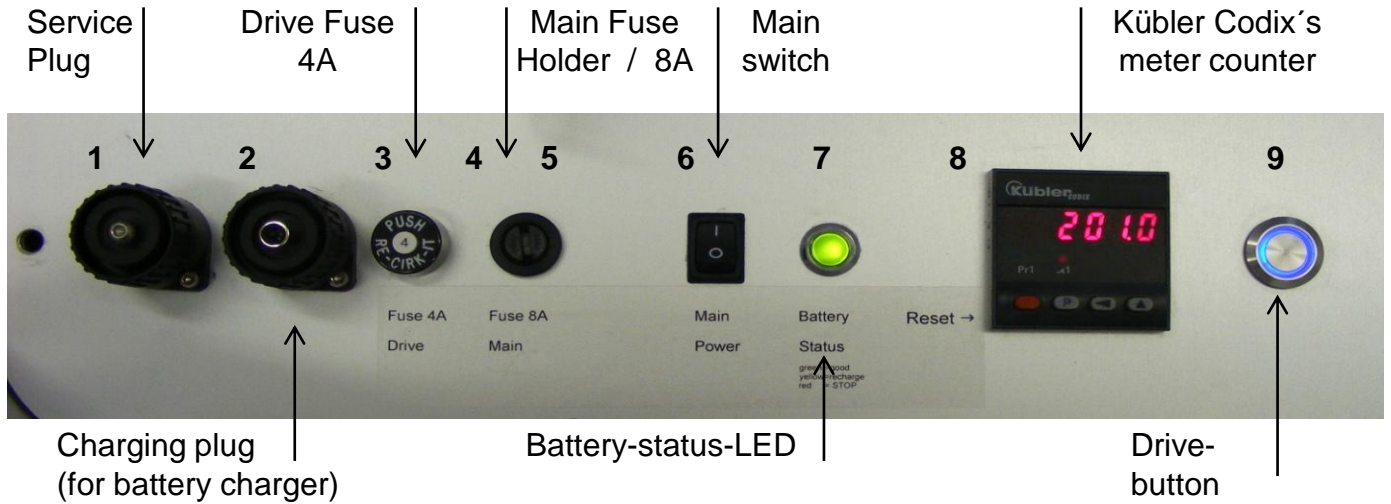





YARN LENGTH MEASURING SYSTEM

Graf & Co GmbH – Technologie Service –
Phone: +49 (0) 8041 79285-16
frank.engelbrecht@graf-chemie.com

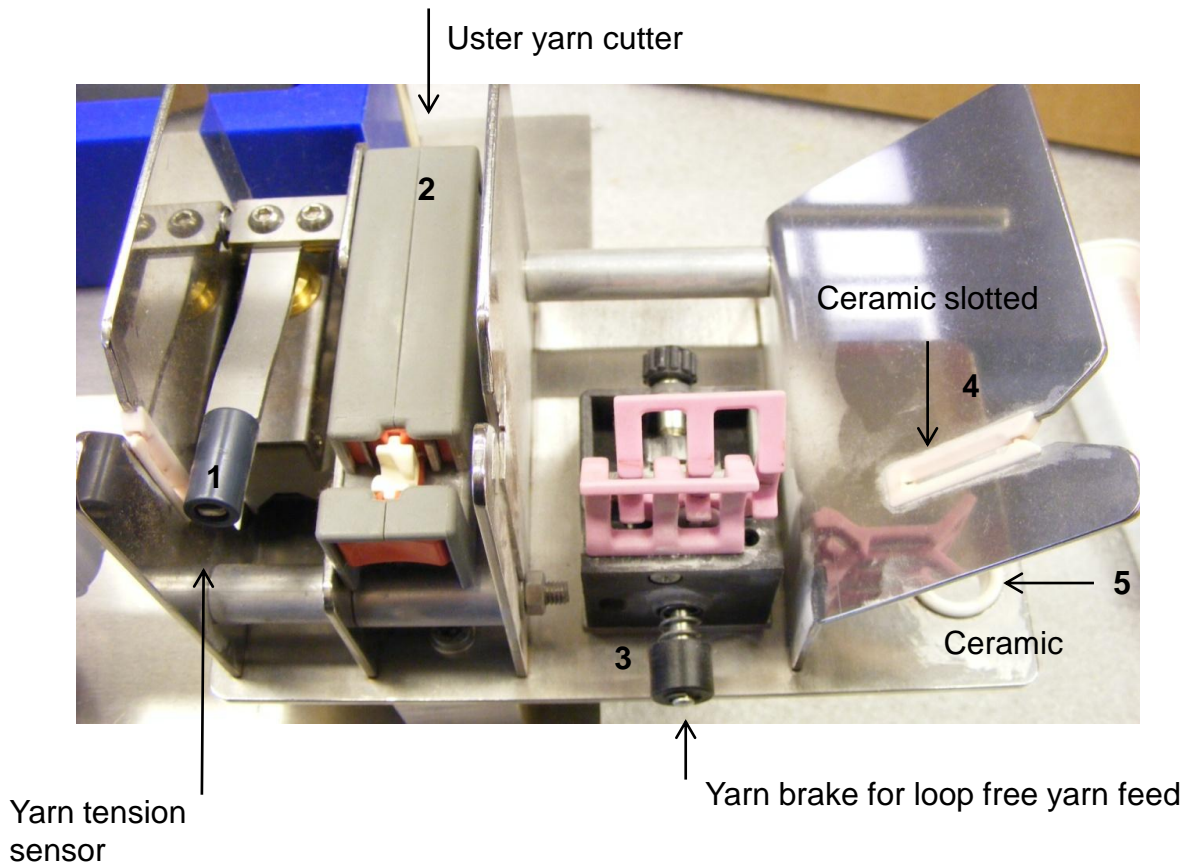
Im Farchet 4 – 83646 Bad Tölz – Germany
Fax: +49 (0) 8041 79285-25
www.graf-chemie.com

Spare part list Yarn Length Measuring System



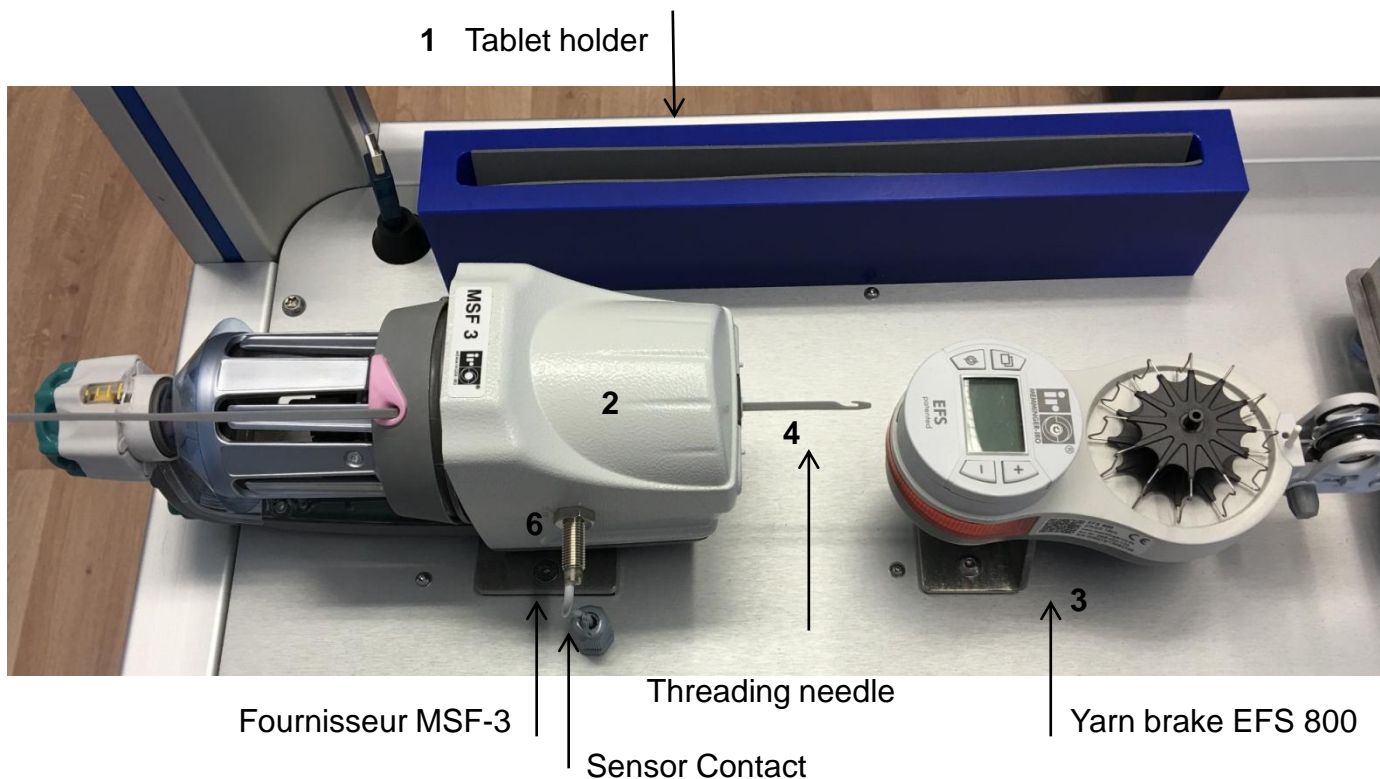
Pictures	Description	Article number	FCA Price/pc. EURO
1	Service Plug (not connected)	T2-0872	22,00
2	Charging plug	T5-0538	22,00
3	Drive Fuse 4A	T2-3121	18,00
4	 Main Fuse Holder	T2-3119	15,00
5	 Main Fuse 8A	T2-3120	5,00 (10 pieces)
6	Main switch	T5-0542	12,00
7	Battery-status-LED	T5-0541	16,00
8	Kübler Codix's meter counter	T2-2822	325,00
9	Drive button	T5-0543	45,00
10	 Platine LMGSP1B	T5-0537	835,00

Spare part list Yarn Length Measuring System



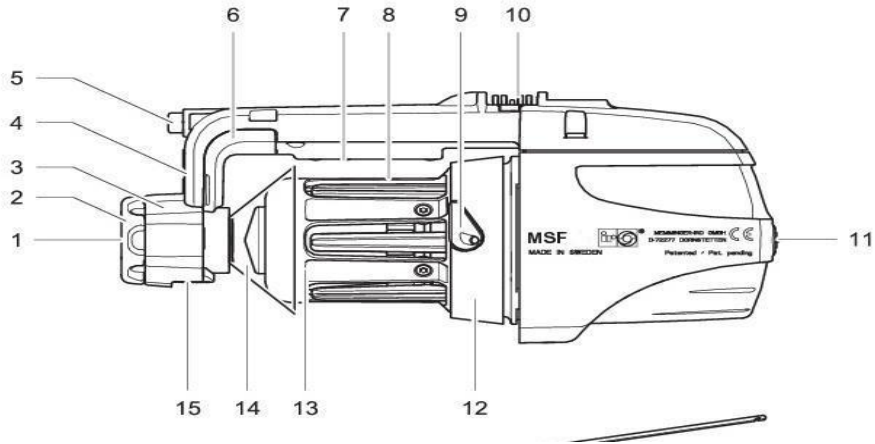
Pictures	Description	Article number	FCA Price/pc. EURO
1	Yarn tension sensor	T2-3086	67,00
2	Uster yarn cutter	T1-1894	132,00
3	Yarn brake for loop free yarn feed	T1-1895	47,00
4	Ceramic slotted	T1-1886	15,00
5	Ceramic	T1-1887	12,00

Spare part list Yarn Length Measuring System



Pictures	Description	Article number	FCA Price/pc. EURO
1	Tablet holder	T4-1172	on request
2	Fournisseur MSF-3	T5-0535	895,00
3	Yarn brake EFS 800	T1-1844	760,00
4	Threading needle	T1-1931	2,80
5	Charger	T5-0540	95,00
6	Sensor Contact (not available separately - mounting at Graf)	T2-2832	140,00
7	Lengthtest Yarn 1000 m / cone	T5-0559	120,00 (12 cones/box)

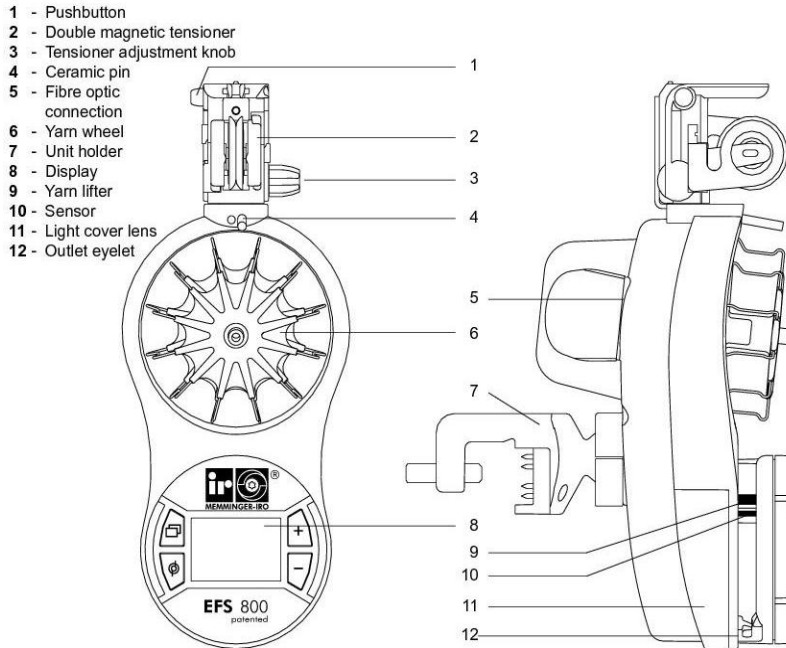
Spare part list Yarn Length Measuring System



Pictures	Description	Article number	FCA Price/pc. EURO
1 2 3	Tension complete (without tension cone)	T1-1979	75,00
9	Ceramic eyelet	T1-1960	4,55
11	Inlet holder complete	T1-1980	12,00
14	Tension Cone	T1-1949	9,80
16	Sensor Cleaner MSF-3	T1-1967	5,67

All other parts (no. 4, 5, 6, 7, 8, 10, 12, 13, 15) are not available as single spare parts.

Spare part list Yarn Length Measuring System



- 1 - Pushbutton
- 2 - Double magnetic tensioner
- 3 - Tensioner adjustment knob
- 4 - Ceramic pin
- 5 - Fibre optic connection
- 6 - Yarn wheel
- 7 - Unit holder
- 8 - Display
- 9 - Yarn lifter
- 10 - Sensor
- 11 - Light cover lens
- 12 - Outlet eyelet

Pictures	Description	Article number	FCA Price/pc. EURO
1 2 3 4	Double magnetic tensioner complete	T1-1845	70,00
6	Yarn wheel	T1-1930	35,00

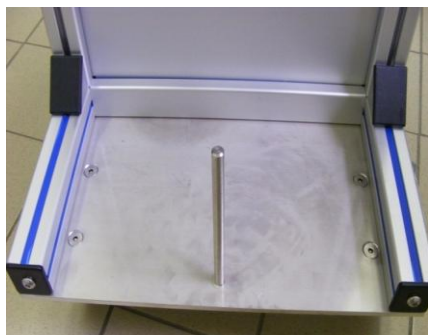
All other parts (no. 5, 7, 8, 9, 10, 11, 12) are not available as single spare parts.

Spare part list Yarn Length Measuring System

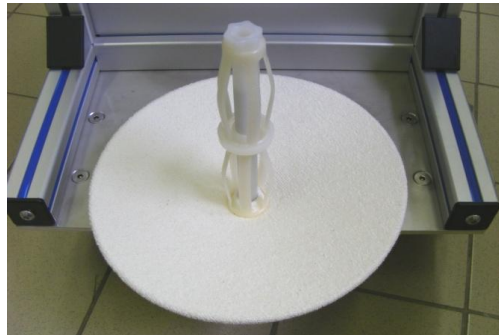


1 ↑ Front castors

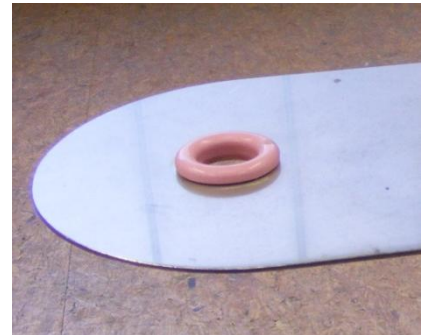
Rear steering castors with brake ↑ 2



3 Holder for bobbin / cone



4 Bobbin / cone plate



5 Ceramic

Pictures	Description	Article number	FCA Price/pc. EURO
1	Front castors	T1-1981	55,00 (2 pieces)
2	Rear steering castors with brake	T1-1890	65,00 (2 pieces)
3	Bobbin holder for fixing device	T4-0442	8,50
4	Bobbin / cone plate	T1-1928	25,00
5	Ceramic	T1-1888	15,00